

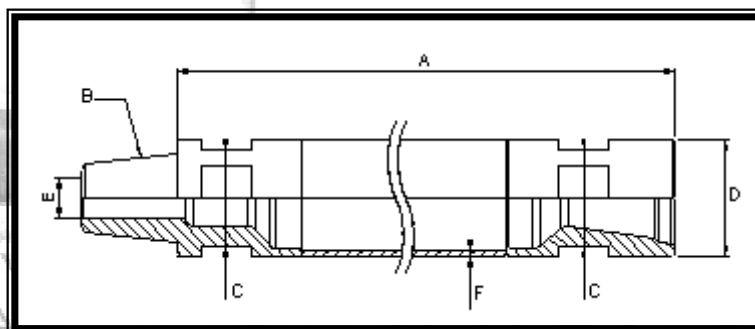


BROCA d'AÇO

Equipamentos de perfuração, Lda.

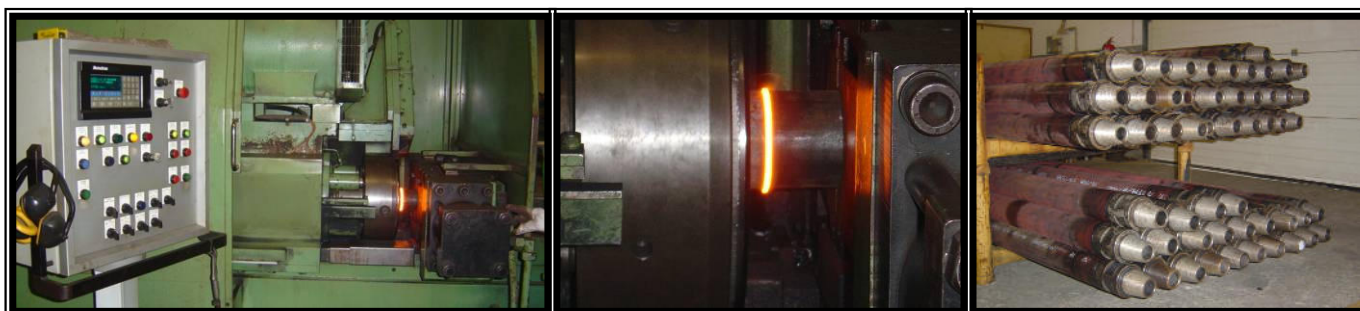
VARAS DE PERFURAÇÃO

DRILL PIPES



CODE N°	OUTSIDE DIAM. (D)	THICKNESS (F)	LENGHT (A)	WEIGHT	TRHEAD (B)	BORE (E)	FLAT (C)
901010041000	76.1	4.0	1000	10.5	2.3/8 API-REG	30.0	65
901010041500	76.1	4.0	1500	14.0	2.3/8 API-REG	30.0	65
901010043000	76.1	4.0	3000	25.0	2.3/8 API-REG	30.0	65
901010081000	76.1	8.0	1000	16.0	2.3/8 API-REG	30.0	65
901010081500	76.1	8.0	1500	22.5	2.3/8 API-REG	30.0	65
901010083000	76.1	8.0	3000	42.5	2.3/8 API-REG	30.0	65
901020051000	88.9	5.0	1000	15.0	2.3/8 API-REG	38.0	65
901020051500	88.9	5.0	1500	20.0	2.3/8 API-REG	38.0	65
901020053000	88.9	5.0	3000	35.0	2.3/8 API-REG	38.0	65
901030061000	114.3	6.3	1000	25.0	3.1/2 API-REG	40.0	95
901030061500	114.3	6.3	1500	33.0	3.1/2 API-REG	40.0	95
901030063000	114.3	6.3	3000	56.0	3.1/2 API-REG	40.0	95
901030081000	114.3	8.8	1000	31.0	3.1/2 API-REG	40.0	95
901030081500	114.3	8.8	1500	42.0	3.1/2 API-REG	40.0	95
901030083000	114.3	8.8	3000	77.0	3.1/2 API-REG	40.0	95
901030086000	114.3	8.8	6000	145.0	3.1/2 API-REG	40.0	95

Diversos comprimentos e tipos de rosca podem ser fabricados por encomenda / Different lengths and threads can be supplied on request



Endereço Postal:

Apartado 4020
2706-908 S.João das Lampas
PORTUGAL

Morada:

Rua 5 de Outubro, 68
2705-737 S.João das Lampas
PORTUGAL

Serviço Telefónico/ Internet:

Geral:++351 21 9608970 – Fax: ++351 21 9608979
E-Mail: brocadaco@mail.telepac.pt
www.brocadaco.pt